

#### DETTAGLI

- Allacciatura collo regolabile con velcro
- 2 tasche

#### TAGLIE

Taglia unica

#### COLORE

J000 Nero

#### TESSUTO

75% cotone  
23% poliestere  
2% elasthan  
210 g / m<sup>2</sup>

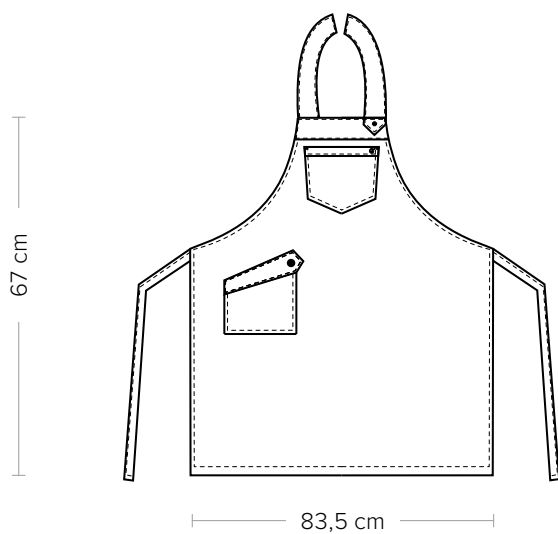


Il grembiule Luna è stato pensato per integrarsi al meglio in ambienti dall'arredo shabby chic, tra i quali si fanno notare molte nuove attività quali panetterie, pasticcerie, cioccolaterie e gelaterie.

#### COLORI DISPONIBILI



J000 Nero



#### DETAILS

- Adjustable halter with velcro
- 2 pockets

#### SIZES

One size

#### COLOURS

J000 Black

#### FABRIC

75% cotton  
23% polyester  
2% elastane  
210 g / m<sup>2</sup>



The Luna apron, made of stretch jeans fabric (210 g / m<sup>2</sup>) with a very soft touch and resistant to high temperatures, was designed to fit perfectly into shabby chic interiors, among which many new businesses such as bakeries, pastry shops, chocolate shops and ice cream parlours stand out.

#### AVAILABLE COLOURS



J000 Black